



Ty-Rap®

T&B Catalog Number: ERG120
UPC Number: 78620986730
Description: Ergonomic Hand Tool for Nylon Cable Ties
 50-120 lbs. - .184-.301 cable tie width

Status: Active

Features

Lightweight, break-through ergonomic design to reduce user stress and strain. 360 degree rotating nose enables operation from any position. Front-access tension-adjustment wheel permits fast, easy changes.

General

For Cable Ties	50 - 120 lbs.
Tooling Functionality	Fastening
For Tie Width (inches)	.184 - .301

Specifications

Tension Setting	Adjustable
Cutting Mechanism	Automatic

Tooling

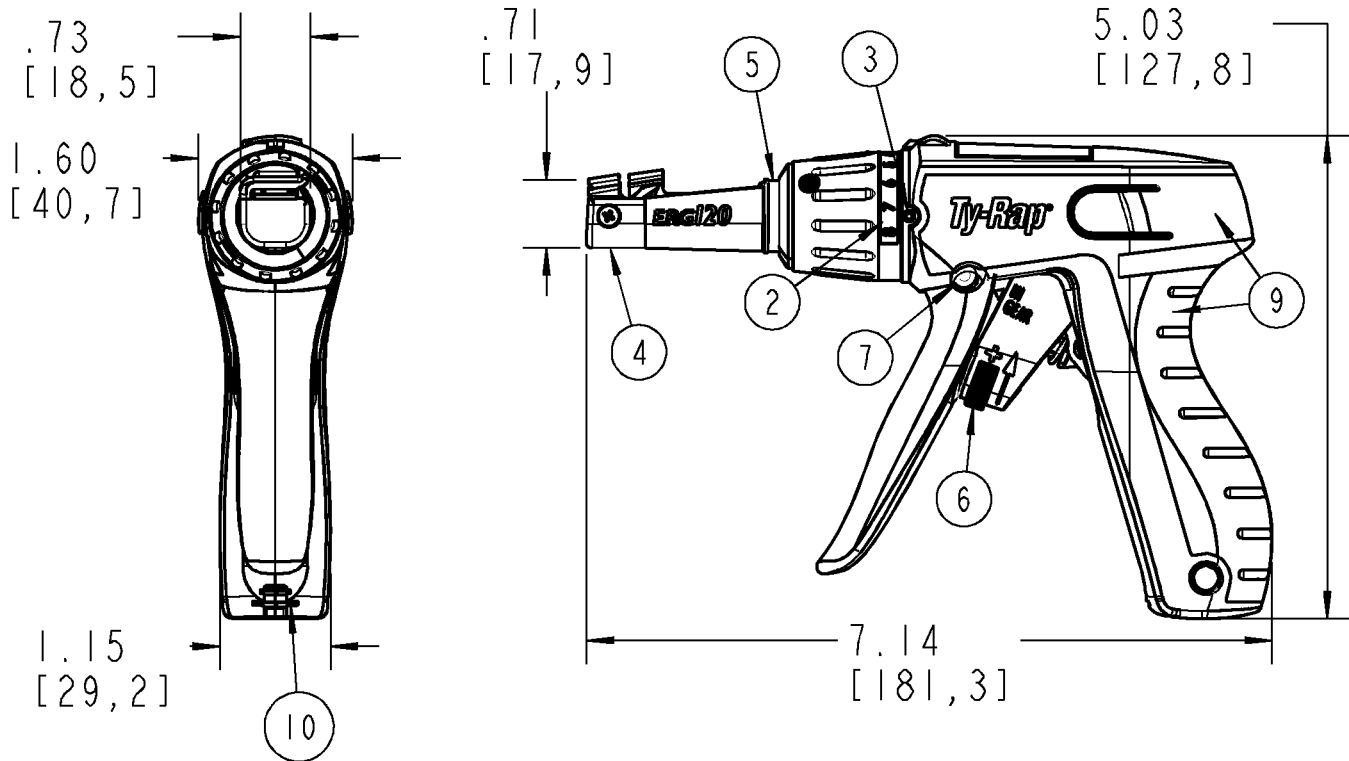
Tool Service Site	Available on Website
Parts List	http://tnblnx3.tnb.com/emAlbum/albums/Tool%20Service/ERG120-ExA,B,C,D,E_1.jpg
Exploded View/Parts List	Available on Website

Packaging

T&B Order Multiple	1
T&B Inner Pack	1
Package in Units	10
T&B Sold in UOM	Each
T&B Weight Per UOM	87.5 lbs. per 100

Application Support

T&B Sales Drawings	wsd-000334
--------------------	------------



SPECIFICATIONS - ERG120

1. INSTALLS 50-120 LB (222-534 N) CABLE TIES
2. ADJUSTABLE TENSION SETTINGS 1-8
3. INTEGRATED TENSION LOCKING SCREW
4. 360° ROTATING NOSE
5. ANTI-RECOIL MECHANISM
6. ADJUSTABLE GRIP SPAN
7. SELECTABLE MODE HIGH-LOW HANDLE FORCE
8. 1" [25.4mm] STROKE IN HIGH, 0.5" [12.7mm] STROKE IN LOW
9. HIGH IMPACT POLYMER CONSTRUCTION WITH SOFT OVERMOLDED GRIP
10. SPARE BLADE STORAGE - SPARE BLADE PART# - CDS010462

GENERAL NOTES		THIRD ANGLE PROJECTION		Ty-Rap Thomas & Betts			
1. ALL DIMENSIONS ARE FOR REFERENCE ONLY. 2. DIMENSIONS IN BRACKETS [] ARE IN METRIC UNITS.							
REVISIONS		DESCRIPTION:		ERG120 Ty-RAP INSTALLATION TOOL			
- SEE ERN (****) FOR APPROVAL SIGNATURES & RELEASE DATE. PROJECT NO: ****		ORIGINAL PROJECT NO / (ERN NO)	SHEET NO:	REV. NO:	DRAWING NO:		
		FD55446 / (2008035)	1 OF 1	-	WSD000334		

Great additions to the Ty-Rap® Detectable Cable Ties!

Ty-Gun® Cable Tie Tool

No More Flying Cable Tie Tails — Cleanly Cuts Ties and Holds Tails Captive!

- Lightweight, break-through ergonomic design dramatically reduces user stress and strain
- 360° rotating nose enables operation from any position
- Front-access tension-adjustment wheel permits fast, easy changes



ERG50

Ty-Rap® Detectable Cable Ties

Cat. Number	Length	Width	Bundle Dia. Max.	Tensile Rating	Std. Pkg. Qty.	UPC Number
Bright Blue Detectable — Compound Nylon 6.6						
TY523M-NDT	3.62"	0.093"	0.625"	18 lbs./80N	100	78621099531
TY525M-NDT	7.31"	0.185"	1.750"	50 lbs./220N	100	78621099533
TY527M-NDT	13.40"	0.270"	3.500"	120 lbs./540N	50	78621099537
TY528M-NDT	14.20"	0.187"	4.000"	50 lbs./220N	100	78621099535
Bright Blue Detectable — Compound Buoyant Polypropylene						
TY523M-PDT	3.62"	0.093"	0.625"	18 lbs./80N	100	78621099532
TY525M-PDT	7.31"	0.185"	1.750"	30 lbs./135N	100	78621099534
TY527M-PDT	13.40"	0.270"	3.500"	60 lbs./267N	50	78621099538
TY528M-PDT	14.20"	0.187"	4.000"	30 lbs./135N	100	78621099536

Cat. Number	Description	Std. Pkg. Qty.	UPC Number
Ty-Rap® TY-Pak			
TB-RAP-100	Double-barrel module	1	78620986650
TB-RAP-200	Single-barrel module	1	78620986651
TB-RAP-300	Single-barrel module	1	78620986652
TB-RAP-110	Double-barrel module	1	78620986653
TB-RAP-210	Single-barrel module	1	78620986654
TB-RAP-310	Single-barrel module	1	78620986655
TB-RAP-211	Single-barrel module	1	78620986656
TB-RAP-311	Single-barrel module	1	78620986657

Cat. Number	Handle Color	Tie Body Tension	Width Range	Std. Pkg. Qty.	UPC Number
Ty-Gun® Cable Tie Tool					
ERG50	Black	18-50 lbs.	0.094" – 0.184"	1	78621058790
ERG120	Red	50-120 lbs.	0.184" – 0.301"	1	78621058788

Temperature rating: -40°F (-40°C) to 185°F (85°C)